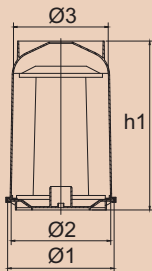
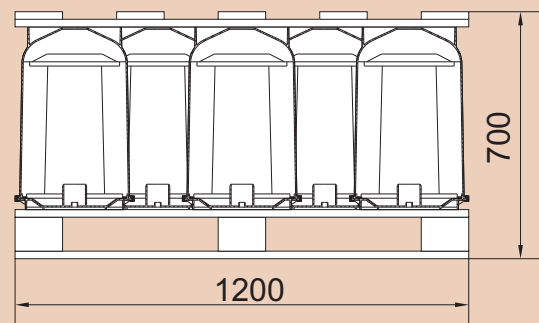
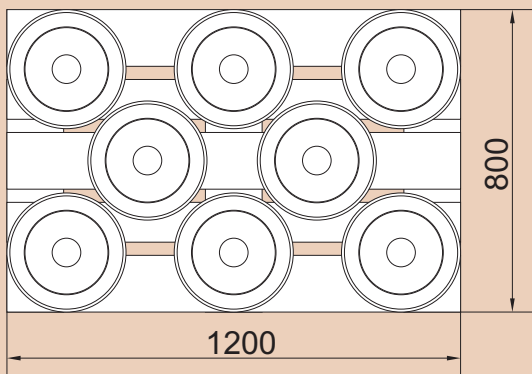


Conical reels with container

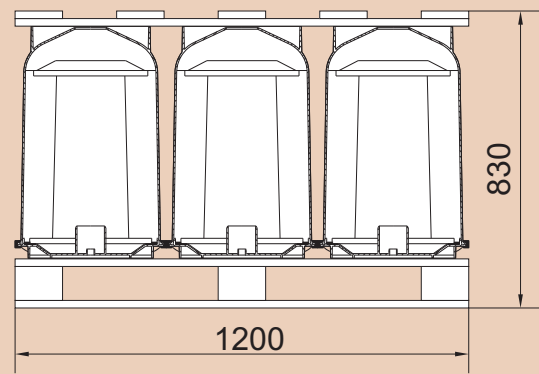
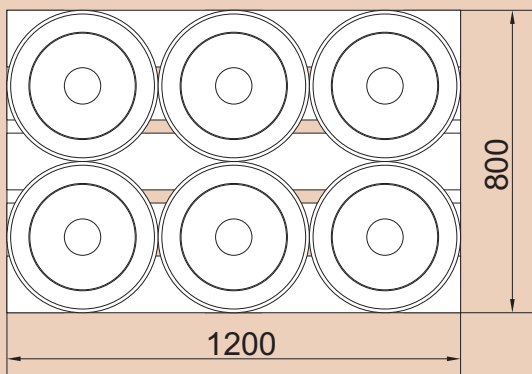
001

| | Type of Reel | Capacity [kg] | Dimension [mm] | | | | | | Drawing | Quantity [reel / pallet] | Expedition [kg / pallet] |
|----|--------------|---------------|----------------|-----|-----|----|-----|----|--|----------------------------|----------------------------|
| | | | Ø1 | Ø2 | Ø3 | Ø4 | h1 | h2 | | | |
| 01 | DIN 250/400 | 45 | 315 | 280 | 270 | -- | 500 | -- |  | 8 | 360 |
| 02 | DIN 315/500 | 90 | 400 | 355 | 338 | -- | 630 | -- | | 6 | 540 |
| 03 | DIN 400/630 | 190 | 500 | 450 | 428 | -- | 800 | -- | | 2 | 380 |
| -- | -- | -- | -- | -- | -- | -- | -- | -- | -- | -- | -- |

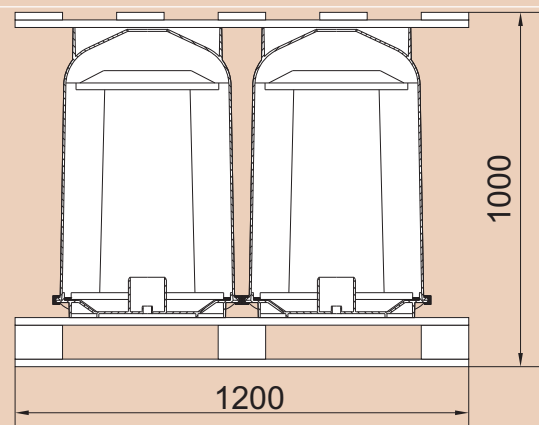
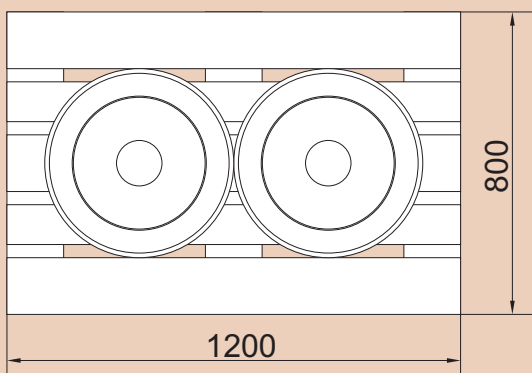
01



02



03

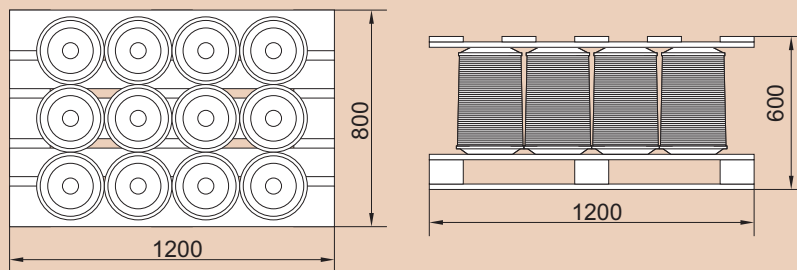


Conical reels without container

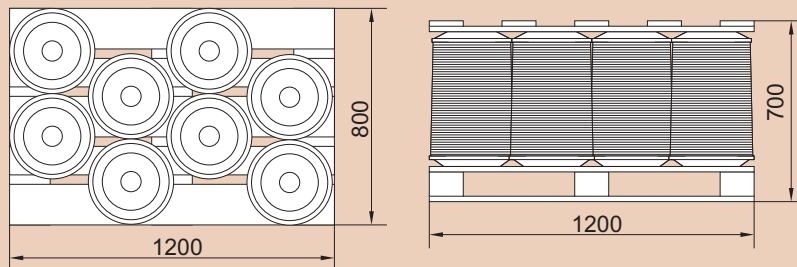
002

| | Type of Reel | Capacity [kg] | Dimension [mm] | | | | | | | Drawing | Quantity reel / pallet | Expedition [kg / pallet] |
|----|--------------|---------------|----------------|-----|-----|-----|-----|-----|-----|---------|------------------------|----------------------------|
| | | | Ø1 | Ø2 | Ø3 | Ø4 | Ø5 | h1 | h2 | | | |
| 01 | DIN 250/400 | 45 | 250 | 160 | 236 | 140 | 100 | 400 | 335 | | 12 | 540 |
| 02 | DIN 315/500 | 90 | 315 | 200 | 300 | 180 | 100 | 500 | 425 | | 8 | 720 |
| 03 | DIN 400/630 | 190 | 400 | 250 | 375 | 224 | 100 | 630 | 530 | | 6 | 1140 |
| 04 | DIN 500/800 | 400 | 500 | 315 | 475 | 280 | 285 | 800 | 670 | | 2 | 800 |

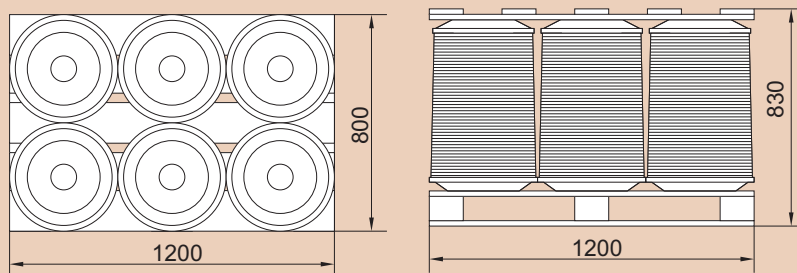
01



02



03



04

